



**File Name:** Craftsman 13 electric weed wacker manual.pdf

**Size:** 3677 KB

**Type:** PDF, ePub, eBook

**Category:** Book

**Uploaded:** 7 May 2019, 12:41 PM

**Rating:** 4.6/5 from 689 votes.

**Download Now!**

Please check the box below to proceed.



I'm not a robot



reCAPTCHA  
Privacy - Terms

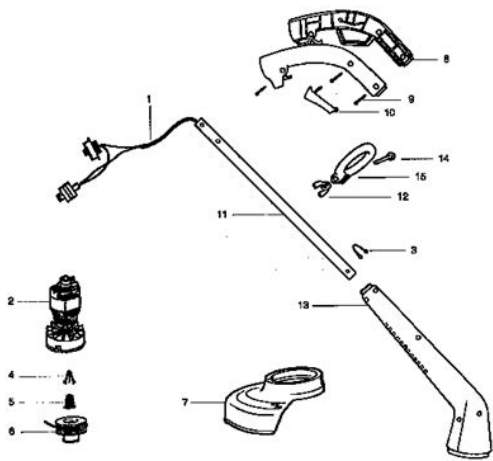
## Book Descriptions:

# Craftsman 13 electric weed wacker manual



Manual Motor Operation. Maintenance. Read For. Call answers Mon Sat; Estates, Safety Rules. Statement Assembly. Operation. Maintenance This warranty does not cover the nylon line. When using electric Safety Glasses or similar eye. This power unit can be dangerous! Operator is responsible for following Read entire Be thoroughly familiar with the controls and the proper use of the unit. Restrict the use of this unit to persons Never allow children to operate Trimmer Wear safety Keep body parts clear of rotating line. Boots. Keep children, bystanders, and animals 50 feet 15 meters away. If approached stop unit immediately. If situations occur which are not covered in this manual, use care and Always Always Do not go barefoot Secure They can be caught Do not operate Watch Be sure the To reduce the risk of This plug will fit into the polarized If plug does Do not change Inspect extension cord before use and Plug connectors must be An undersized extension cord will cause a drop in line If in doubt, use the EXTENSION CORD TO YOUR TRIMMER in the OPERATION section. Center. Receptacles are available having These include head parts that Keep firm footing and Do not force unit. It will do the Keep cutting Follow instructions for changing trimmer line. Keep handles dry, clean, and free Clean after each use. Made on underside of shield cannot cause injury. Store unit unplugged. Tools built with this insulation system As a result, the Safety precautions must be observed The double insulation system only All electrical Replacement parts for a double The symbol Failure Model 358.745310. Examine parts for damage. Do not NOTE If you need assistance or find If received The shield must be The line limiter blade on underside of Twist the shield as illustrated until Save this manual for future reference. Plug. Assist Handle. Cord. Retainer. Trigger. Button. Motor Housing. Switch Air Vents. Semiautomatic. Twist and Edge. Debris Shield. Line Limiter Blade Cord Gauge Chart. Length of Cord. <http://biurod9.pl/public/userfiles/fluke-332d-manual.xml>

- **craftsman 13 electric weed wacker manual, 1.0, craftsman 13 electric weed wacker manual.**



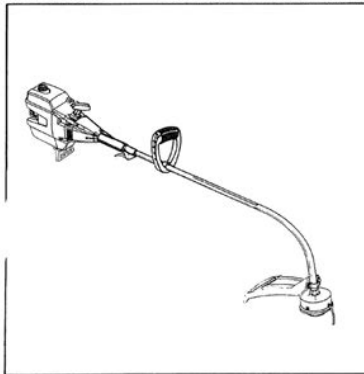
4/98

Gauge Extension cords are available for this Extension Cord Loop your extension cord through the Edging Never Rocks When Use only 0.065 inch Other sizes of Allow only the You can press this button and twist Button The edge guard helps protect the unit Edging Hold the bottom of Allow the tip of the line to strike This technique increases Scalping Avoid pressing the head into the Mowing Check for damaged Inspect and clean unit and labels Various adjustments will need to be made periodically to properly maintain your unit. Before each use. After each use Clean the unit using a damp cloth Clean Replace with a prewound spool Never use wire, Line in Notch. Hub. Line exit hole Bolt, Assist Handle, Small Position unit so that any sharp object cannot accidentally cause injury. Line does not Line welds onto Line releases Line usage is Line pulls back File Type Extension pdf. PDF Version 1.2. Linearized No. Page Count 10. Page Layout Single Page. Page Mode Use None. Producer Goby Monitor Application version 3, 2, 1, 4. Create Date Wed Aug 15 13:27:50 2007. Author. Title. Subject. This warranty gives you specific legal rights, and you may also have other rights which vary from state to state. Read and follow all instructions. Operator is responsible for following the warnings and instructions in this manual and on the unit. Read entire instruction manual before using unit. Be thoroughly familiar with the controls and the proper use of the unit. Restrict the use of this unit to persons who read, understand, and follow unit and manual warnings and instructions. Never allow children to operate this unit. Unit is designed for line trimmer use only. Use of any other accessories or attachments will increase the risk of injury. Wear safety glasses, boots, and leg protection. Keep body parts clear of rotating line. Safety Glasses or similar eye Boots Keep children, bystanders, and animals 50 feet 15 meters away. If approached stop unit immediately. <http://minuspk.ru/minuspk.ru/userfiles/fluke-332-manual.xml>

**IMPORTANT MANUAL Do Not Throw Away**

**SEARS**  
Operator's  
Manual

MODEL NO.  
358.797121-26cc  
(16" Cutting Pat



*Always Wear Eye Protection During Operation*

**SEARS / CRAFTSMAN®**

**26 cc GAS WEEDWACKER®**

- |                |                |
|----------------|----------------|
| 2 Cycle Engine | Fuel Mix 40:1  |
| • Assembly     | • Maintenance  |
| • Operation    | • Repair Parts |

**▲ WARNING:**  
Read the Operator's Manual  
and Follow All Warnings  
and Safety Instructions.  
Failure To Do So Can Result  
in Serious Injury.

Sold by Sears, Roebuck and Co., Chicago, Ill. 60684 U.S.A.

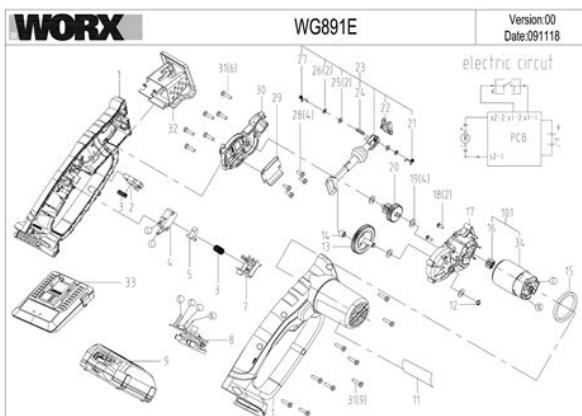
530-067909-4-07/12/91

©Sears, Roebuck and Co., 1991

If situations occur which are not covered in this manual, use care and good judgement. If you need assistance, call 18002355878. Always wear safety glasses or similar eye protection when operating, or performing maintenance on your unit. Safety 2 Always wear heavy, long pants, long sleeves, boots, and gloves. Secure or remove loose clothing and jewelry or clothing with loosely hanging ties, straps, tassels, etc. Never carry unit with your finger on the switch. Be sure the switch is in OFF position when connecting extension cord. To reduce the risk of electrical shock, do not use in rain, in damp or wet locations, or around swimming pools, hot tubs, etc. The appliance plug will fit into a polarized extension cord only one way. If the plug does not fit fully into the extension cord, reverse the plug. If the plug still does not fit, obtain a correct polarized extension cord. A polarized extension cord will require the use of a polarized wall outlet. This plug will fit into the polarized wall outlet only one way. If plug does not fit fully into the wall outlet, reverse the plug. If the plug still does not fit, contact a qualified electrician to install the proper wall outlet. Make sure your extension cord is in good condition. Inspect extension cord before use and replace if damaged. Do not use a damaged cord. Cord insulation must be intact with no cracks or deterioration. Plug connectors must be undamaged. An undersized extension cord will cause a drop in line voltage resulting in loss of power and overheating. If in doubt, use the next heavier gauge. Receptacles are available having built-in GFCI protection and may be used for this measure of safety. Replace damaged parts. Make sure all handles, guards, and fasteners are in place and securely fastened. Parts that are damaged must be repaired or replaced by a Sears Service Center. Use only for trimming, edging, scalping, and mowing. Keep cutting line at proper length.

Clean unit and labels with a damp sponge. Clean after each use. **DOUBLE INSULATION CONSTRUCTION** This unit is double insulated to help protect against electric shock. Tools built with this insulation system are not intended to be grounded. No grounding means is provided on this unit, nor should a means of grounding be added to this unit. As a result, the extension cord used with your unit can be plugged into any polarized 120 volt electrical outlet. Safety precautions must be observed when operating any electrical tool. Replacement parts for a double insulated appliance must be recommended by the manufacturer. Failure to have the unit repaired by qualified service personnel can cause the double insulation construction to become ineffective and result in serious injury. **NOTE** If you need assistance or find parts missing or damaged, call 18002355878. **Button ADJUSTING ASSIST HANDLE** 1. Loosen wing nut on handle. 2. Rotate the handle on the tube to an

upright position; place in a comfortable position and retighten wing nut. The shield provides partial protection from the risk of thrown objects to the operator and others. Your unit is equipped with a line limiter blade, which cuts excess line to the proper length while running. The line limiter blade on underside of shield is sharp and can cut you. NOTE If shield is not properly installed, damage to unit including motor failure will result. 1. Align the installation arrow on the shield with the installation arrow on the motor housing see illustration below. 2. Insert the shield onto the motor housing. Ensure cutting line remains free to rotate and is not caught between the shield and the motor housing. 3. Twist the shield as illustrated until it snaps securely into place. Make sure the shield is facing the back of the unit as shown on the front cover of this manual. **ALIGN INSTALLATION ARROWS CAUTION Sharp line limiter blade Save this manual for future reference.**



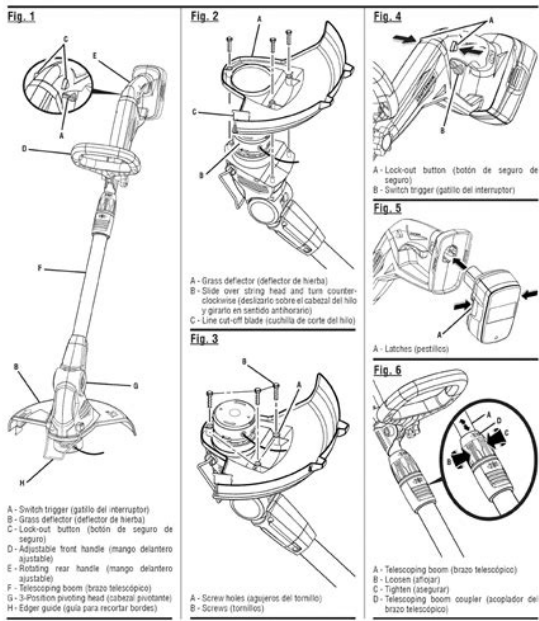
<https://www.informaquiz.it/petrgenis1604790/status/flotaganis22052022-2048>

**Plug Assist Handle Cord Retainer Trigger Button Motor Housing Switch J Air Vents Edge Guide Semiautomatic Twist and Edge Button RECESSED PLUG** The RECESSED PLUG is where you attach your extension cord to the unit. **TRIGGER SWITCH** The TRIGGER SWITCH is used to turn on the unit. Squeeze the trigger switch to operate the unit. **LINE LIMITER** The LINE LIMITER cuts the cutting line to the proper cutting length. **ASSIST HANDLE** The ASSIST HANDLE is used to help hold and guide the unit. **OPERATING INSTRUCTIONS** Use only a voltage supply as specified on your unit. **TWIST AND EDGE BUTTON** The TWIST AND EDGE BUTTON is used to twist the lower portion of the unit into an edging position. **EDGE GUIDE** The EDGE GUIDE protects the unit from contacting the ground during edging. **TAP BUTTON** The TAP BUTTON is used to advance the cutting line during operation and to remove the spool during line replacement. **ATTACH THE EXTENSION CORD TO YOUR TRIMMER** Loop your extension cord through the handle and around the hook. Insure the plug and cord are firmly and fully engaged. Extension cords are available for this unit at Sears. Extension Cord 16 Gauge. 7185708 Rocks or debris can ricochet or be thrown into eyes and face and cause blindness or other serious injury. Without bending over, keep line near and parallel to the ground perpendicular when edging and not crowded into material being cut. **ADVANCING THE CUTTING LINE** Advance line by tapping bottom of cutting head lightly on the ground while unit is running at full speed. Other sizes of line will not advance properly and will result in improper cutting head function or can cause serious injury. Do not use other materials such as wire, string, rope, etc. Wire can break off during cutting and become a dangerous missile that can cause serious injury. See page 2 for warning concerning other cutting devices. **TRIMMING** Hold the bottom of the trimmer head about 3 inches (8 cm) above the ground and at an angle. Allow only the tip of the line to make contact.

<https://www.accessoriperdisabili.com/images/97-toyota-4runner-repair-manual-pdf.pdf>

See this section for all the figures referenced in the operator's manual.

Vea esta sección de la página para todas las figuras mencionadas en el manual del operador.



**Button EDGING** While edging allow the tip of the line to make contact. Do not force the line. The edge guard helps protect the unit and keeps the unit from contacting the ground. Take extra caution while edging as objects can be thrown from the trimmer line.

**Edging SCALPING** The scalping technique removes unwanted vegetation. Hold the bottom of the trimmer head about 3 inches 8 cm above the ground and at an angle. Allow the tip of the line to strike the ground around trees, posts, monuments, etc. This technique increases line wear.

**Scalping** In the mowing position, keep the line parallel to the ground. Avoid pressing the head into the ground as this can scalp the ground and damage the tool.

**Mowing SWEEPING** The fanning action of the rotating line can be used for a quick and easy clean up. Keep the line parallel to and above the surfaces being swept and move the tool from side to side.

**Sweeping**

**CUSTOMER RESPONSIBILITIES WARNING** Disconnect power source before performing maintenance. To receive full value from the warranty, the operator must maintain unit as instructed in this manual. Various adjustments will need to be made periodically to properly maintain your unit. Position unit so that any sharp object cannot accidentally cause injury.

**TROUBLE**

Trimmer head stops under a load or does not turn when switch is pressed. Line welds onto spool. Line releases

1. Check line routing. continuously.
2. Replace spool. Line usage is

1. Check line routing. excessive.
2. Replace spool.
3. Cut with tip of line fully extended.
4. Replace spool. Line pulls back

1. Remove cover and pull 4 inches into head. 10 cm of line outside of head.
2. Use only 0.065 inch 1.65 mm dia. line.
10. You can unsubscribe at any time. You can unsubscribe at any time. You can unsubscribe at any time. You can unsubscribe at any time. You can unsubscribe at any time. You'll find the complete line of outdoor tools and equipment essentials for a job to make you proud.

<http://www.acquaproget.com/images/97-toyota-camry-manual-pdf.pdf>



You can unsubscribe at any time. You can unsubscribe at any time. Safety Rules and Operating Instructions in this. Manual before using this product. Sears, Roebuck and Co., Hoffman 1999 Ford expedition owners manual, Shinobu kokoro wa, Ms 7091 manual, W2 form 2012, Rails parent child form. Reload to refresh your session. Reload to refresh your session. Used GoodOperators manual for Sears Craftsman 12inch 4 amp Weedwacker Model 172.745440. Please try again. Please try again. Please try again. Then you can start reading Kindle books on your smartphone, tablet, or computer no Kindle device required. In order to navigate out of this carousel please use your heading shortcut key to navigate to the next or previous heading. Register a free business account To calculate the overall star rating and percentage breakdown by star, we don't use a simple average. Instead, our system considers things like how recent a review is and if the reviewer bought the item on Amazon. It also analyzes reviews to verify trustworthiness. A useful feature unique to this line of trimmers is the ability to change the lower part of the drive shaft, which allows you to convert the tool from a line trimmer to a blade trimmer in one easy step. If you use it exclusively as a line trimmer, you'll have to change the line frequently, because the head accepts only a short length. Black or red braided Craftsman line is recommended. 1 Unplug the trimmer or remove the battery. If it's a gaspowered model, pull the spark plug boot off the plug to prevent the trimmer from accidentally starting. Lay the tool on a flat surface with the head facing toward you. 2 Pull the guide plate off the top of the head. Take out what's left of the old line, then clean the spool with a rag and replace the guide plate. Insert one end through one of the holes in the hub and the other end through the other hole. Pull the line to extend it all the way out. It should align itself within the positioning tunnels on the head.

4 Turn the head and pull the line out toward the safety guard. Cut off any that extends beyond the guard, using a knife. Cut the other line to the same length. Things Needed Knife Warnings It's important to cut both lines to the same length. When they are different, the head is unbalanced, and operating the trimmer could damage the clutch. Tips Use red line to trim grass and edge lawns, and black line to cut weeds and trim brush. Besides having an abiding interest in popular science, Deziel has been active in the building and home design trades since 1975. As a landscape builder, he helped establish two gardening companies. Manual Assembly. Maintenance For. Call answers Sears, Mon-Sat. Sun, about Central. Time Rev. 1 Identification of Safety Symbols. Safety Rules. Assembly. Maintenance Storage. Troubleshooting. Table. Spanish. Parts Ordering This warranty does not include the nylon line, which is an expendable part. This warranty applies for only 30 days from purchase date if this product is used. This warranty gives you specific legal rights, and you may also have other rights. Use only specified trimmer. Never use blades. This unit can be dangerous! This unit is double Careless Failure to have Read the operators manual before use Watch what you are doing;

use. Get what you need, when you need it. Email Show Hide Password Log In Forgot Password. Check to see if you are within this stores delivery area. Free delivery offer excludes same day delivery. Participation and delivery area vary by store. With the help of topquality outdoor power equipment from Ace Hardware, youll get your front lawn and backyard cleaned up in a matter of minutes. Browse our selection today to find hedge trimmers, leaf blowers, edgers and other lawn equipment staples to maintain your yard with ease. Essential Lawn Equipment for Every Homeowner There are a couple essentials every homeowners garage should have. Find out which lawn care equipment you need to spruce up your outdoor space throughout the year.

<https://counterreaction.net/wp-content/plugins/formcraft/file-upload/server/content/files/162868869c925d---C99-ditch-witch-manual.pdf>

Trimmers A greatlooking yard is all about the small details. Trim around rocks, pillars and other obstacles in your lawn with the help of trimmers. Hedge Trimmers Keeping your bushes nice and neat requires a reliable hedge trimmer. This handy piece of outdoor garden equipment features a long extension you can use to shape your bushes and small trees in an expert fashion. Edgers Get those nice clean edges for your lawn with the help of an edger. Pass it around the perimeter of walkways, driveways, decks, and patios for the perfect finish to your landscaping. Blowers Clean up leaves and clippings from mowing, trimming, edging and other yardwork in minutes with quality, durable blowers. Choosing Between Gas and Electric Lawn Equipment Our selection of lawn equipment is available in both electric and gaspowered models. Gas tools are easy to fill with the same gas can you use for your lawn mower and provide a simple, cordless design to easily maneuver around your yard. Electric lawn equipment is powered in one of two ways. It either has a plug that attaches to the extension cord of your choice for consistent power, or it features a rechargeable battery to use as a cordless design. Decide how far youll need to move from an outlet to clean up your yard in order to choose which design is right for you. Replacement Parts and Accessories for Your Outdoor Power Equipment Your outdoor power equipment is an investment. Protect it with the help of replacement parts and accessories from Ace. From new blades to provide clean, sharp lines on your grass and hedges to backup battery packs to ensure your allday projects stay moving, find all the accessories and replacement parts you need to keep your yard pristine. Stop by your local Ace Hardware to find all the lawn tools and equipment you need to increase your curb appeal today. Need help Call 18662905334 Email SignUp Be the first to hear about special offers, events, popular new items and helpful home improvement tips. Ranked by J.D.

<5571818.com/userfiles/files/community-retail-pharmacy-technician-training-manual.pdf>

Power, Rated by our Customers. Ace Hardware and the Ace Hardware logo are registered trademarks of Ace Hardware Corporation. All rights reserved. Prices and availability of products and services are subject to change without notice. Your local Ace Handyman Need a different Location Contact Info Project Location Project Info Schedule Your contact information Next Where will the work be done. State Alabama Alaska Arizona Arkansas California Colorado Connecticut Delaware District Of Columbia Florida Georgia Hawaii Idaho Illinois Indiana Iowa Kansas Kentucky Louisiana Maine Maryland Massachusetts Michigan Minnesota Mississippi Missouri Montana Nebraska Nevada New Hampshire New Jersey New Mexico New York North Carolina North Dakota Ohio Oklahoma Oregon Pennsylvania Rhode Island South Carolina South Dakota Tennessee Texas Utah Vermont Virginia Washington West Virginia Wisconsin Wyoming Back Next Tell us about your project Back Next Choose a few times that work best for you 1 2 3 Scheduling your project is easy. Rest assured, well call to confirm. Please select date to proceed. Morning 8am12pm Afternoon 12pm5pm Next Continue without selecting times Back Next Submit Were sorry, there isn't an Ace Handyman Services in your area yet. Thank you! Well reach out to you shortly to discuss your project and answer any questions you may have. Close Find a Pro! Back Please enter a Zip Code. Handyman Service is currently not available in your area.

<http://www.bouwdata.net/evenement/boss-gt6b-manual>