

8310r manual

Loosen cap screws until spring tension is relieved under piston assembly (8).

[6] - Remove piston assembly

[7] -



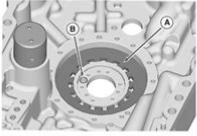
Piston Seals

LEGEND:
A
B
Replace seals (A and B).

Seal
Seal

[8] - Lubricate seals and assemble pistons.

[9] -



YouFixThis.com

Park Brake Springs and O-ring

LEGEND:
A Springs (3 used)
B O-ring
Install springs (A).

[10] - Install O-ring (B).

[11] - Install piston assembly cap screws evenly until piston assembly bottoms out. Tighten to specification.

Item	Measurement	Specification
Park Brake Piston Assembly Cap Screws	Torque	35 Nm (26 lb.-ft.)

[12] -

File Name: 8310r manual.pdf

Size: 1868 KB

Type: PDF, ePub, eBook

Category: Book

Uploaded: 15 May 2019, 20:40 PM

Rating: 4.6/5 from 726 votes.

Download Now!

Please check the box below to proceed.



I'm not a robot



reCAPTCHA
Privacy - Terms

Book Descriptions:

8310r manual



All information, illustrations and specifications in this manual are based on the latest information available at the time of publication. The right is reserved to make changes at any time without notice. This manual contains 3D animation video, high quality images, instructions to help you to troubleshoot, and repair your truck. This document is printable, without restrictions, contains searchable text, bookmarks, crosslinks for easy navigation. Language English. Format ZIP, containedAlso you need installed CATIA Composer Player, link to installer is included into PDF. Covered models SN 016001 090000. Tons of illustrations, instructions, diagrams for step by step remove and install, assembly and disassembly, service, inspection, repair, troubleshooting, tuneups. Obtenez notre service d'installation professionnelle des aujourd'hui ! This manual contains deep information about maintaining, assembly, disassembly and servicing your John Deere. This manual contains deep information about maintaining, assembly, disassembly and servicing your John Deere. Your friend will receive an email from you with a link to our site. Please enter your name, email, and phone number below. We will contact you as soon as this product is available. All Rights Reserved. We therefore use cookies, as we legitimately have our hearts set on improving user experience, producing statistics and offering ad inserts based on your areas of interest, including, with your consent, local ones. By contuing to browse, you also agree to cookies being deposited by our partners to offer you advertising promotions tailored to your centres of interest, on our site, and to enable you to share them on social networks. However, we have selected ads of possible interest to you. Please try again later. The letter stated that a PIP was in the works concerning this problem. This potential problem exists for all the models of that age with ILS. It only pertains to ILS models.<http://arkaimavto.ru/store/file/emerson-large-remote-manual.xml>

- **8310r manual, john deere 8310r manual, 8310r operator s manual, jd 8310r manual, 8310r manual, 8310r manual, 8310r operators manual, 8310r service manual.**

Section 59 - 1500 SERIES MFWD AXLE Group 15 - Differential

List of References

Below is a list of all items within this group.

[Essential, Recommended, and Fabricated Tools](#)

[Specifications](#)

[Remove Differential—1500 Series](#)

[Disassemble, Inspect, and Assemble Differential Housing Assembly—1500 Series](#)

Essential, Recommended, and Fabricated Tools

—NOTE:
For further information, see SERVICEGARD™ online tool catalog.

Below are tools listed in this group.

[DIFRW132—Differential Side Bevel Gear End Play Tool](#)

[D01045AA Disk Set](#)

Specifications

Item	Measurement	Specification
Differential		
Remove Differential—1500 Series		



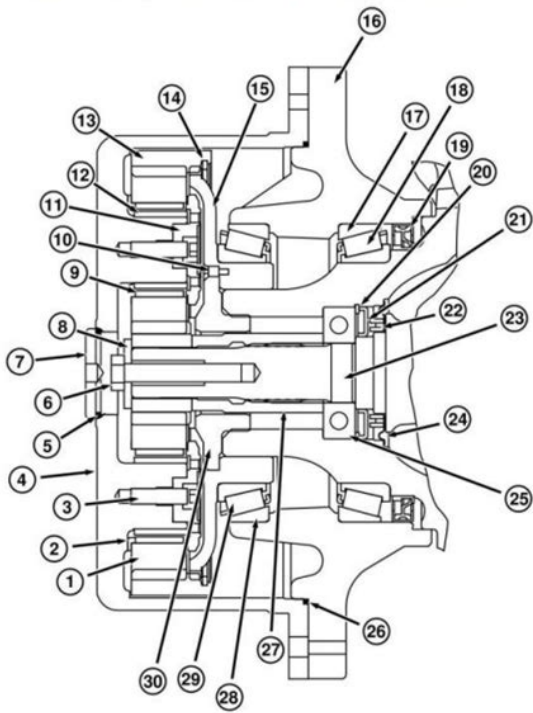
Differential

LEGEND:
 A DIFRW132—Differential Side Bevel Gear End Play Tool
 B Wing Nut

[1] - Install DIFRW132—Differential Side Bevel Gear End Play Tool (A) to differential.

Go to Section 70C Section 59 page 70 TM150119-REPAIR MANUAL

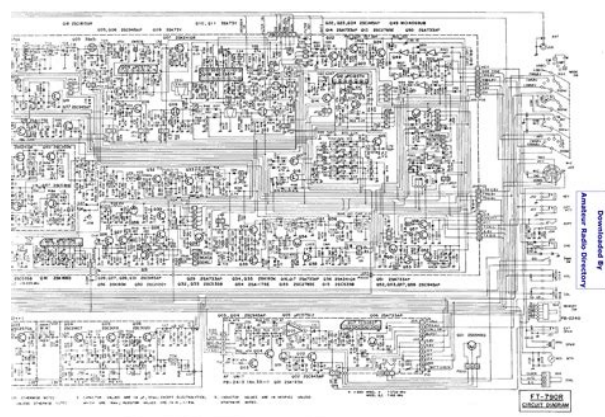
The letter stated that there could be a failure that could lead to a lack of steering. With planting coming one of these days I hope, I wanted to get to the bottom of this. The tractor was a lease return from a local canning company but I am the first real owner. I contacted the Service Manager at the dealership where I purchased the tractor. He had no knowledge of this situation but said he would look into it and get back to me. I called the Service manager at a competing dealership. The Service Manager there looked up the PIP and said that he would investigate the matter and get back to me. Within a couple of hours he called back. He said that one of his Techs would be in the area and stop by for a look at my tractor to see if replacement parts were needed. Apparently these clamps came from different lots or suppliers during the time these tractors were built. There are three clamps on each side of the tractor. Some of these clamps are fine and others are subject. The Tech had pictures that showed how to tell the difference. Some clamps had the casting number crosswise to the clamp and others had the casting number inline across the piece. It wasn't even necessary to read the numbers, the orientation was the key to deciding whether the clamps were good or subject. Fortunately mine had the casting number in the correct direction indicating that my clamps are fine and no replacement is deemed necessary. If the casting numbers had been the other orientation, they would need to be replaced. It appears that this would be a bit involved especially with front duals. I commend this Service Manager for looking into this right away, even though I didn't buy the tractor there. I wonder how long before the selling dealership will get around to checking this out. In my case it wouldn't have mattered since my tractor is apparently fine. Additional terms, conditions and fees may apply. Equal opportunity lender. No equipment will be released until payment is made in full. <http://yaeram.com/userData/board/emerson-lc195emx-user-manual.xml>



Planetary Carrier and Wheel Hub

LEGEND:

Shipping is buyers responsibility. All sales are final. We encourage self inspection before bidding. Please call before coming to ensure someone will be on site. Equipment must be removed within 30 days unless other arrangements are made. Item must be picked up within 30 days of auction date unless other arrangements are made. Payment method is wire transfer or finance through Ag Direct. Please CALL for preapproval. www.agdirect.com Continue Reading.



<https://www.informaquiz.it/petrgenis1604790/status/flotaganis19052022-0620>

<https://www.ortorehab.se/images/canon-eos-400d-manual-free.pdf>

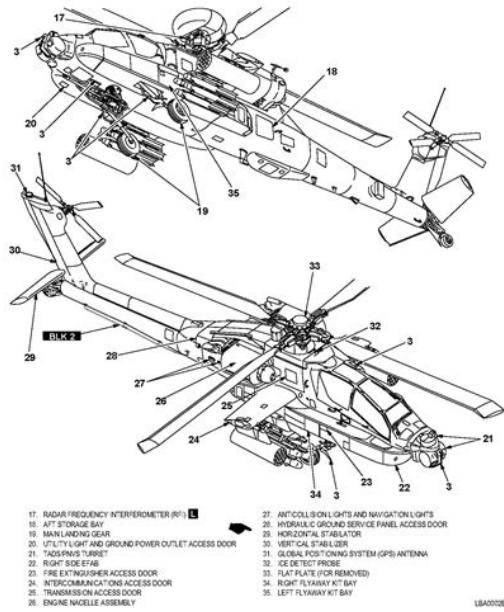


Figure 2-1. General Arrangement (Sheet 2 of 2)

Use or disclosure of this information is subject to the restriction(s) on the title page of this document.

Change 4 2-3

<https://www.acnovate.com/images/canon-eos-400d-digital-camera-manual.pdf>



<https://www.reroofingbrisbaneqld.com.au/wp-content/plugins/formcraft/file-upload/server/content/files/16274d7499eb0b---brother-innov-is-10-anniversary-manual.pdf>

www.demirdokumservisiankara.com/image/files/canon-f-1n-manual.pdf

<http://www.bouwdata.net/evenement/bose-ls50-manual>