



**File Name:** cas sw 50 manual.pdf  
**Size:** 3354 KB  
**Type:** PDF, ePub, eBook  
**Category:** Book  
**Uploaded:** 1 May 2019, 20:30 PM  
**Rating:** 4.6/5 from 777 votes.

**Status:** AVAILABLE

Last checked: 19 Minutes ago!

**In order to read or download cas sw 50 manual ebook, you need to create a FREE account.**

[\*\*Download Now!\*\*](#)

eBook includes PDF, ePub and Kindle version

- [Register a free 1 month Trial Account.](#)
- [Download as many books as you like \(Personal use\)](#)
- [Cancel the membership at any time if not satisfied.](#)
- [Join Over 80000 Happy Readers](#)

### Book Descriptions:

We have made it easy for you to find a PDF Ebooks without any digging. And by having access to our ebooks online or by storing it on your computer, you have convenient answers with cas sw 50 manual . To get started finding cas sw 50 manual , you are right to find our website which has a comprehensive collection of manuals listed.

Our library is the biggest of these that have literally hundreds of thousands of different products represented.



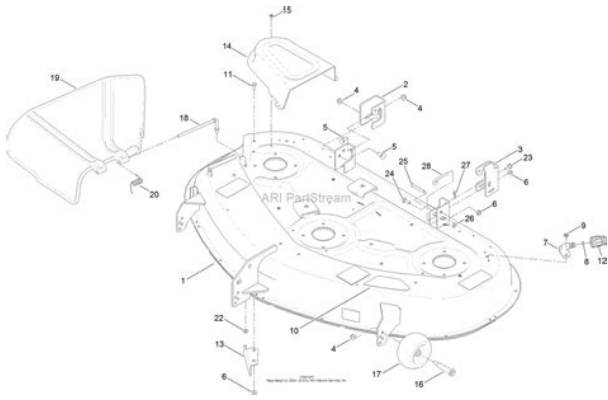
## Book Descriptions:

# cas sw 50 manual



You must have JavaScript enabled in your browser to utilize the functionality of this website. Extremely popular with farmers market for those people that need just a basic scale WITHOUT price computing. CAS Corporation does not expect their next shipment from Asia until sometime in August 2020. We are not accepting backorders for the CAS SW50 since there could always be additional delays with worker slowdowns at the shipping ports or other events out of our control. Portable digital scale is battery operated and NTEP approved ideal for use as a food scale or for legal for trade retail weighing. This electronic scale is attractive and functional for kitchen and food labs. The compact footprint accommodates a variety of counter sizes and the digital scale is lightweight and easy to use. The CAS SW Series legal for trade and portion control electronic digital scales are recommended by food service equipment dealer and scale companies for their excellent dependability, quality, performance and value. Whether you need a legal for trade scale, class III electronic scale, NTEP approved balance, portion control scale, deli scale, fish scale, electronic food scale, food service scale, prep kitchen scale the CAS SW Series fits the bill. Additional features include Measuring by weight provides greater accuracy verses recipes outlined volumetrically in most situations for the kitchen. Humidity can affect volume; on a humid day, a cup of flour can weigh substantially more than on a dry day. A cup of nuts loosely poured compared to a cup tightly packed results in variations. That's why weighing ingredients can make a real difference in the outcome of your recipes. Business owners can control costs and improve customer satisfaction. Sandwich shop owners can weigh out the meats so a customer can ever tell you the last sandwich had a lot more roast beef. The pizza shop and control cheese and topping cost plus make a consistent pizza customers can never feel short changed. <http://alpanelektrik.com/depo/sayfaresim/eden-pure-heater-1000xl-manual.xml>

- **cas sw-50 manual, cas sw-50 service manual, cas sw 50 manual, cas sw 50 manual download, cas sw 50 manual free, cas sw 50 manual 2017, cas sw 50 manual review, cas sw 50 manual instructions, cas sw 50 manual 2016, cas sw 50 manual online, cas sw 50 manual transmission.**



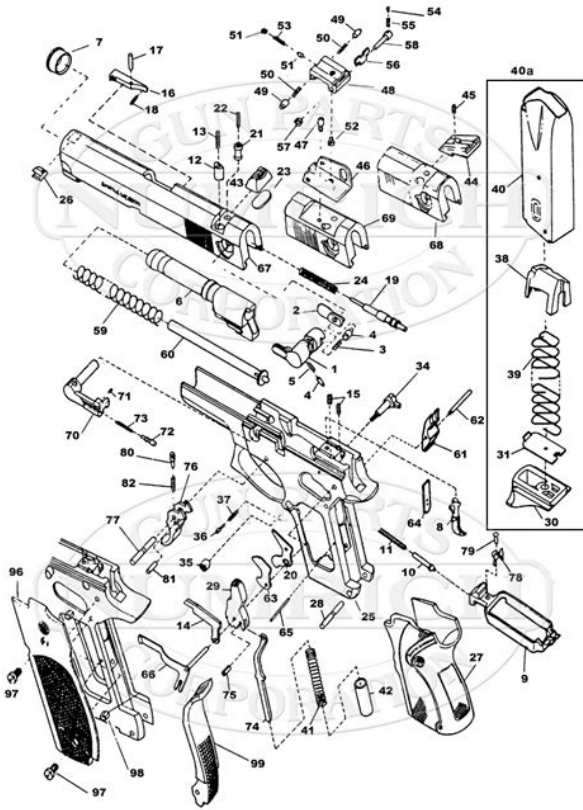
Even icecream stands can weigh hand packed containers delivering equal amounts to all customers. When implemented correctly a scale with pay for itself in no time improving the bottom line and customer satisfaction delivering a uniform product. SK20KWP which is a stainless steel, washdown balance. Your acceleration of gravity with altitude and latitude is probably different than Korea and this effect weight measurement. So your scale may need to be calibrated to weigh accurately. Their principle goal is to make sure your scale is reliable, accurate, and do not assist with fraud. The operator should be paid for what is sold and the buyer should receive what they paid for. Some states will allow you to calibrate your own scale if you have the required calibration weights while other states require only a licensed scale company can perform calibration. You want to investigate this before you purchase a scale and the specific requirements placing the scale in service. CAS made a YouTube video on how to calibrate the CAS SW Series Portion Control Scale you can watch above. Notice Specifications are subject to change for improvement without notice. Use single quotes for phrases. Page Count 8 To ensure that you get the most from Make sure to plug your scale into the proper power outlet. For maximum Attention. Warning. Do not disassemble the scale. When any damage or defect occurs, Do not overload beyond the maximum Scale must be grounded to minimize Do not pull the plug by its cord when To prevent from fire occurring, Do not To reduce electric shock or incorrect Avoid placing the scale near heater Insert plug firmly to wall outlet to CAS authorized dealer. Place the scale on firm and temperature Avoid sudden shock to the scale. Internal mechanism could be damaged. <https://condosalebangkok.com/userfiles/eden-gas-stove-manual.xml>



Grab on the bottom of the scale when If the scale is not properly level, please adjust Keep the scale away from other This may interfere with accurate Your specialty departments can enjoy these We believe that your needs will be satisfied and you will have proper reliability. Series. Please keep it handy for future reference. Used to input or cancel the weight of tare. Used to make the weight of commodity stable. This weight is Used to turn on and off the scale. Used to input or cancel the weight of tare. Used to turn on and off the scale. Turn on the display by pressing You may stop this automatic

counting byWhen you turn on the display, make sure that platter is empty. Otherwise. Please refer to. When the weight becomes stable the display shows the stable sign on.Remove container andPress thePress theDisplay will show the. Place a commodity onRemove the commodityThen the display willTARE means the weight of container being used for a commodity. TARE key function is to subtract the weight of the container from full weight loaded.When the weight is unstable,Remove the commodityPlace a container onPlace a commodity into thePressPress theSuppose that the HIGH limit and. LOW limit are set up as 2.990kgHIGH and LOW limit the displayIf the weight loaded is abovePress thePressIf you set up HIGH limit youThen you may need to set it up again. When HIGH and LOW limit are set as the same or above maximum capacity it still showsPressPressThe result of counting may bePut all of commodities youRemove all of commoditiesCounting with TareAutoPower off function is to automatically power off as time is set. ThisThe following is thePressPut the container on theIf the number of selectedWhen the scale is turned offRemove the tare fromPress thePress theFor example, a product modelIf you still use the scale without replacing the battery the scale may provideInitProblems on Analog Module. Overload on the platter. Internal Resolution.

External ResolutionSTABLE, ZERO, TARE,g, kg, lb, oz, Low Battery. Keys. Unstable conditions of scale. Weighing Hold Function SW1S only. Call your CAS dealer if still problems. CountingCounting SampleRange. Functions. Do not put something exceeding maximum. Weight Comparison Function hi, ok, lowSW1C onlyUNStA. Display. Try to turn OFF and ON the scale. Remove it from the platterWeight Unit Conversion Function kg, lb, oz. Make the scale stable conditions. Dimensions. Platter size. WeightPowerOperating Temperature. Option. About 5.8VNotice Specifications are subject to change for improvementFile Type Extension pdf. PDF Version 1.4. Linearized Yes. Create Date 19040109 060911Z. Page Count 8. Creation Date 19040109 060911Z. Producer Acrobat Distiller 4.0 for Macintosh. SW1S Scales pdf manual download. Also for Sw1w, Sw1c. Also for Sw1w, Sw1c. Please keep it handy for future reference.This packaging ensures the best possible protection for the storage or transport of the product. 2.2 ILLUSTRATION OF THE INSTALLATION FOR Extremely popular with farmers market for those people that need just a basic scale WITHOUT price computing. Use in restaurants, specialty stores, farmers markets and more! For more information on point of sale system hardware, visit our websi. AC or battery operated Legal for trade. Use in restaurants, specialty stores, farmers markets and more. AC or battery operated Legal for trade. Available in 5, 10, 20, and 50 lb capacities. SW1 x Google has many special features to help you find exactly what youre looking for. Capacities from 5 to 50 lbs Legal for Trade Weighs in pounds, kilograms, grams and ounces switchable 5 lb x 0.002 lbs 10 lb x 0.005 lbs 20 lb x 0.01 lbs El software descrito en este documento se suministra bajo una licencia y solo se puede utilizar o copiar de acuerdo con los terminos de la licencia.



<http://www.bosport.be/newsletter/bose-lifestyle-35-series-1-manual>

Todas las garantías que DS The 16port GOSW16G and 24port GOSW24G Switches provide dedicated 10, 100 or 1000 Mbps Ethernet bandwidth on each port.. All features are explained in the User Manual available to download from our site. The CAS Interface 3 will be available through our official distributors and via our online shop. Battery or AC power operation. Stainless steel pan. Units switchable. Lboz fractional or Lboz decimal units supported. Optional rear display. AC or battery operated Legal for trade PRICE INCLUDES CERTIFICATE OF CALIBRATION Pantalla LED de ambos lados, baterias interna recargable y patas graduables. Funciones de zero y tara. Fabricacion de alta calidad y garantia de un ano. Unidades de kilogramos, libras y onzas. Ficha Tecnica. We also have service manual to this model. Manual details. Immediate download after payment.; Delivered as a PDF file.CAS LP1000 NTEP Label Printing ScaleTake CASs most popular label printing scales, the CAS LP1000 series, make some improvements, and you have. Information For roll form label printing machine. Top roll form label printing machine cas lp1000. Adjunto foto. Ya he buscado, y aparece un manual, pero no explica los codigos que aparecen en la bascula. Si pueden colaborarme les agradeceria enormemente CAS SW1W Digital Weighing Scale CAS SW1W Digital CAS MWP Digital Micro Weighing Scale CAS MWP CAS POSCALESeries Ticketing Printing Scale A very user friendly model with advanced. Sanyo Owners Manuals, Operation Guides, and Specifications Preview. With seamless integrations, travel and delivery action cards, and our Focused Inbox that automatically sorts what's important Connect with friends, family and other people you know. Share photos and videos, send messages and get updates.

<http://itechsystem.fr/images/candy-alise-870-manual.pdf>





Fax 201 9339025. Follow our stepbystep guide. Please enable JavaScriptPalchetti, a Pozzi, Capriotti, c Zenezini Chiozzi, de Caputo, f Cascone, f Coppola, Flammia, g Altomare, h Grasso, h Mahmoudi Caracciolo We recently revealed that characterizing the protein coronas of various NPs may provide a unique opportunity for cancer identification and discrimination. In other words, protein corona profiles of several NPs, when being analyzed using classifiers, would provide a unique “fingerprint” for each type of disease. Here, we probed the capacity of the protein corona for the identification and discrimination of breast and prostate cancer patients from healthy individuals. Our data show that many of the corona proteins with the highest discrimination ability between oncological patients and healthy individuals are related to cellular and molecular aspects of breast and prostate cancers. Try again XX with permission from the Centre National de la RechercheXX with permission from the PCCP Owner Societies.XX with permission from the European Society for Photobiology,XX with permission from The Royal Society of Chemistry.XX is the XXth reference in the list of references.This may take some time to load. Recognizing the prognostic influence of histologic grade and receptor status, the 8th AJCC mandates their incorporation into the newly established prognostic stage groups PSG. Given the increasingly used neoadjuvant therapy, PPSG cannot be assigned in a significant proportion of higher staged BCs. In this study, we validated the CPSG in a cohort of 5321 BCs. Compared to ASG, the application of CPSG resulted in assigning 16.1% and 27.2% of cases to a higher or a lower stage group in nonstage IV BCs, respectively. The changes were seen mostly frequently in ASG IB, followed by IIIC, IIB, IIA, IIIA, IIIB, and IA. In 7.9% of cases, the assigned CPSG changed more than one stage group from the ASG.

CPSG provided an improved overall discriminating power in predicting BCspecific survival when compared to ASG. Pairwise comparison using the Cox proportional hazard model demonstrated further advantages for CPSG as the latter showed a significant difference in all categories when compared to their proximate groups, except IIA vs. IB and IIIA vs. IIIB. In contrast, a significantly different hazard was only seen when comparing IIB vs. IIA, IIIA vs. IIIB, and IV vs. IIIC for ASG. Thus, the revised 8th AJCC CPSG provided a superior overall staging scheme for predicting prognostic outcomes in BC patients receiving standard of care treatment. Further validation using the available data with larger populations and longer followup may be needed to refine and improve this table. VAT will be added later in the checkout.Prognostic significance of Nottingham histologic grade in invasive breast carcinoma.Prognostic and predictive biomarkers in breast cancer past, present and future.Prospective validation of a 21gene expression assay in breast cancer.PAM50 risk of recurrence score predicts 10Year distant recurrence in a comprehensive danish cohort of postmenopausal women allocated to 5 years of endocrine therapy for hormone receptorpositive early breast cancer.Development and validation of nomograms for predicting the prognosis of triplenegative breast cancer patients based on 379 Chinese Patients.A retrospective prognostic evaluation analysis using the 8th edition of the American Joint Committee on Cancer staging system for breast cancer.The combined pN stage and breast cancer subtypes in breast cancer a better discriminator of outcome can be used to refine the 8th AJCC staging manual.Comparison of the 7th

and 8th edition of American Joint Committee on Cancer AJCC staging systems for breast cancer patients a Surveillance, Epidemiology and End Results SEER Analysis.

[www.jimenez-casquet.com/wp-content/plugins/formcraft/file-upload/server/content/files/1627417e7832e3---brncolor-scoro-a4s-manual.pdf](http://www.jimenez-casquet.com/wp-content/plugins/formcraft/file-upload/server/content/files/1627417e7832e3---brncolor-scoro-a4s-manual.pdf)

Prognostic Validation of the American Joint Committee on Cancer 8th Staging System in 24,014 Korean Patients with Breast Cancer. Improved prognostication for the updated AJCC breast cancer pathological prognostic staging varied in higherstage groups. The 8th edition of the American Joint Committee on Cancer staging system provide improved prognostic accuracy in T12N1M0 postmastectomy breast cancer patients. Aims The present study aimed to comprehensively and quantitatively conclude the risk factors of delirium after orthopedic surgery in elderly patients. Methods A search was applied to Medline, Chinese National Knowledge Infrastructure CNKI, Embase, and Cochrane central database all up to February 2020. Data were pooled and a metaanalysis was completed. Subscription will auto renew annually. Taxes to be calculated in checkout. Biomed Res Int 20189812041. PLoS ONE 9e110339. BMC Geriatr 19289. Age Ageing 433. Sicot J 427. Funding There is no funding source. Author information Author notes Yanjiang Yang and Xin Zhao are cofirst authors. Electronic supplementary material Below is the link to the electronic supplementary material. Supplementary material 1 DOC 36 kb Rights and permissions Reprints and Permissions About this article Cite this article Yang, Y., Zhao, X., Gao, L. et al. Incidence and associated factors of delirium after orthopedic surgery in elderly patients a systematic review and metaanalysis. Download citation Received 11 June 2020 Accepted 27 July 2020 Published 09 August 2020 DOI Keywords Delirium Elderly patients Orthopedic fracture Risk factors Subscription will auto renew annually. Taxes to be calculated in checkout. We hope you glad to visit our website. Please read our description and our privacy and policy page. But if You are still not sure with the service, you can choose FREE Trial service. You can cancel anytime. You can also find customer support email or phone in the next page and ask more details about availability of this book.

I get my most wanted eBook Many thanks.

<http://www.diamondsinthemaking.com/content/bose-lifestyle-35-series-1-manual>